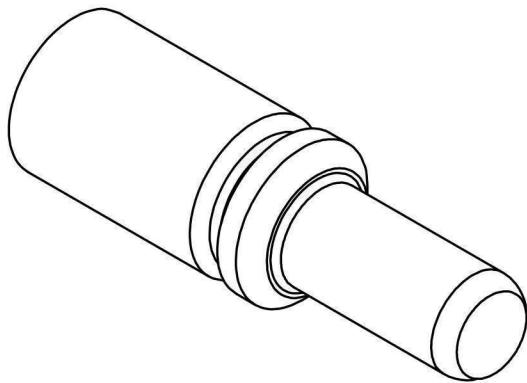


技术参数:

- 材料: 铜合金
- 表面处理: 镀银
- 额定电流: 100A
- 接触电阻: $\leq 0.3m\Omega$
- 线径范围: $35mm^2$
- 最大电缆直径: 14mm
- 剥线长度: 16mm
- 可插拔次数: ≥ 500
- 电缆绞线标准: IEC 60228-5

Technical specification:

- Material: copper alloy
- Surface: hard-silver plated
- Rated current: 100A
- Contact resistance: $\leq 0.3m\Omega$
- Wire gauge: $35mm^2$
- Max. insulation diameter: 14mm
- Stripping length: 16mm
- Mating cycles: ≥ 500
- For stranded fine wire acc. to: IEC 60228-5



| | | | | | | | | | | | |
|---------------|--------------|------------------|---------|----------------|-----------------|----------------|-------------|---|--------------|-------------------|-------------------|
| | | | | | | 表面处理 Finish | - | | | 图号 Drawing No. | - |
| | | | | | | 材料 Material | - | | | 产品代号 Part Code | CKSM-35 |
| 标记 Mark | 处数 Number | 变更描述/Description | | | 签名 Signature | 日期 Date | | | | 产品料号 Part No. | |
| | | 姓名/Name | 日期/Date | | 姓名/Name | 日期/Date | 比例 Scale | 版本 REV. | 重量 Weight | 数量 Qty. | 产品名称 Part Name |
| 绘图 Drawn | | | | 标准化 Stand. | - | - | 2:1 | V1.0 | 23.6g | - | - |
| 审核 Checked | | | | | | | | | | | |
| 工艺 Process | | - | - | 批准 Approved | | | | | | | |
| | | | | | | | | All Dimensions in mm Original Size DIN A 4 | | | |