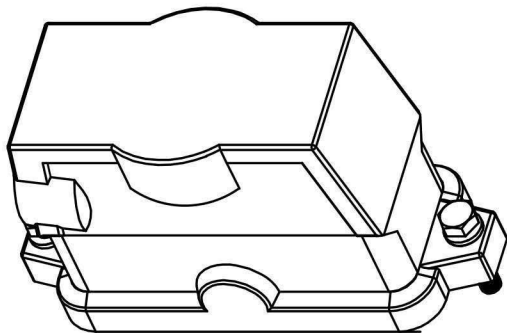


技术参数:

- 材料: 压铸铝
- 表面处理: 粉末喷涂
- 颜色: RAL 9005 (黑色)
- 温度范围:  $-40^{\circ}\text{C} - +125^{\circ}\text{C}$
- 防护等级: IP68/IP69K
- 密封元件: NBR
- 出线方向: 侧出线
- 出线孔数: 1
- 螺纹规格: M32

Technical specification:

- Material: aluminium die-cast
- Surface: powder-coated
- Colour: RAL 9005(black)
- Temperature range:  $-40^{\circ}\text{C} - +125^{\circ}\text{C}$
- Degree of protection: IP68/IP69K
- Hoods/Housings sealing: NBR
- Cable entry: side entry
- No. of cable entries: 1
- Thread size: M32



|               |              |                  |         |                |                 |   |             |            |              |  |                   |
|---------------|--------------|------------------|---------|----------------|-----------------|---|-------------|------------|--------------|--|-------------------|
|               |              |                  |         |                |                 | 表面处理<br>Finish                                | -           |            |              | 图号<br>Drawing No.  | -                 |
|               |              |                  |         |                |                 | 材料<br>Material                                | -           |            |              | 产品代号<br>Part Code  | HVS16B-SOH-2T-M32 |
| 标记<br>Mark    | 处数<br>Number | 变更描述/Description |         |                | 签名<br>Signature | 日期<br>Date                                    | 比例<br>Scale | 版本<br>REV. | 重量<br>Weight | 数量<br>Qty.   | 产品名称<br>Part Name |
| 绘图<br>Drawn   |              | 姓名/Name          | 日期/Date | 姓名/Name        | 日期/Date         | 1:2   | V1.0        | 357g       | -            | -  |                   |
| 审核<br>Checked |              |                  |         |                |                 |   |             |            |              |  |                   |
| 工艺<br>Process | -            |                  |         | 批准<br>Approved |                 |   |             |            |              |  |                   |
|               |              |                  |         |                |                 | All Dimensions in mm<br>Original Size DIN A 4 |             |            |              |  沈阳思源科技有限公司<br>Shenyang Simuyuan Technology Co., Ltd. |                   |