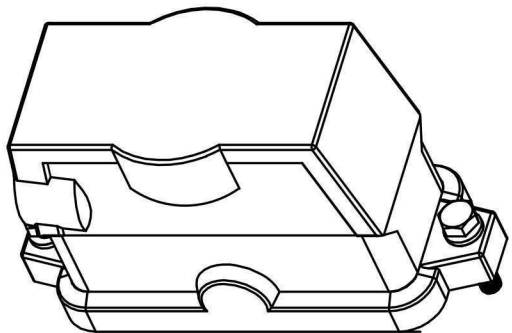


技术参数:

- 材料: 压铸铝
- 表面处理: 粉末喷涂
- 颜色: RAL 9005 (黑色)
- 温度范围:  $-40^{\circ}\text{C} - +125^{\circ}\text{C}$
- 防护等级: IP68/IP69K
- 密封元件: NBR
- 出线方向: 侧出线
- 出线孔数: 1
- 螺纹规格: PG21

Technical specification:

- Material: aluminium die-cast
- Surface: powder-coated
- Colour: RAL 9005(black)
- Temperature range:  $-40^{\circ}\text{C} - +125^{\circ}\text{C}$
- Degree of protection: IP68/IP69K
- Hoods/Housings sealing: NBR
- Cable entry: side entry
- No. of cable entries: 1
- Thread size: PG21



|               |               |                  |         |                |                 |                |             |   |              |                   |                    |
|---------------|---------------|------------------|---------|----------------|-----------------|----------------|-------------|---|--------------|-------------------|--------------------|
|               |               |                  |         |                |                 | 表面处理<br>Finish | -           |   |              | 图号<br>Drawing No. | -                  |
|               |               |                  |         |                |                 | 材料<br>Material | -           |   |              | 产品代号<br>Part Code | HVS16B-S0H-2T-PG21 |
| 标记<br>Mark    | 处数<br>Number  | 变更描述/Description |         |                | 签名<br>Signature | 日期<br>Date     | 比例<br>Scale | 版本<br>REV.                                    | 重量<br>Weight | 数量<br>Qty.        | 产品料号<br>Part No.   |
| 绘图<br>Drawn   | 审核<br>Checked | 姓名/Name          | 日期/Date | 姓名/Name        | 日期/Date         | 1:2            | V1.0        | 357g  | -            | 产品名称<br>Part Name |                    |
| 工艺<br>Process | -             | -                | -       | 批准<br>Approved |                 |                |             | All Dimensions in mm<br>Original Size DIN A 4 |              |                   |                    |